

Positioners suitable for use with modulating damper actuators

- For surface mounting



## Technical data

|                        |                                   |   |
|------------------------|-----------------------------------|---|
| <b>Electrical data</b> | Nominal voltage                   | AC/DC 24 V  |
|                        | Nominal voltage frequency         | 50/60 Hz  |
|                        | Nominal voltage range             | AC 19.2...28.8 V / DC 19.2...28.8 V                                       |
|                        | Power consumption in operation    | 0.3 W   |
|                        | Power consumption for wire sizing | 1 VA  |
|                        | Output power note                 | for max. 10 actuators   |
|                        | Connection supply / control       | Terminals 1.5 mm <sup>2</sup>   |
| <b>Functional data</b> | Operating range Y                 | 2...10 V  |
|                        | Operating range Y note            | Operating range selectable 0...10 V or 2...10 V                           |
|                        | Scale                             | 0...100% (angle of rotation can be limited mechanically with rotary knob) |
| <b>Safety data</b>     | Protection class IEC/EN           | III, Safety Extra-Low Voltage (SELV)                                      |
|                        | Degree of protection IEC/EN       | IP40<br>IP protection in consideration of the installation specification  |
|                        | EMC                               | CE according to 2014/30/EU  |
|                        | Type of action                    | Type 1  |
|                        | Ambient humidity                  | Max. 95% RH, non-condensing   |
|                        | Ambient temperature               | -20...50°C [-4...122°F]   |
|                        | Storage temperature               | -40...80°C [-40...176°F]  |
|                        | Servicing                         | maintenance-free  |
| <b>Weight</b>          | Weight                            | 0.14 kg   |

## Safety notes



- The device must not be used outside the specified field of application, especially not in aircraft or in any other airborne means of transport.
- Only authorised specialists may carry out installation. All applicable legal or institutional installation regulations must be complied with during installation.
- The device may only be opened at the manufacturer's site. It does not contain any parts that can be replaced or repaired by the user.
- The device contains electrical and electronic components and must not be disposed of as household refuse. All locally valid regulations and requirements must be observed.

**Product features**

**Operating mode** The positioner is supplied with operating voltage via terminals 1 and 2. Proportional. Proportionate to the position of the rotary knob, a control signal Y is generated, which is either 2...10 V or 0...10 V, or a position change occurs at the actuator within the range of 0...100% (min...max). The angle of rotation of the adjustment knob can be subjected to mechanical limitation.

**Application** The positioner is used for the (remote) control of modulating damper actuators or as a minimum positioner (lower limitation of output signals from modulating controllers). The adjustment range is 0...100% angle of rotation of the connected actuator.

**Simple changeover** The switching from 2...10 V to 0.5...10 V is accomplished by means of a slide switch on the printed circuit board.

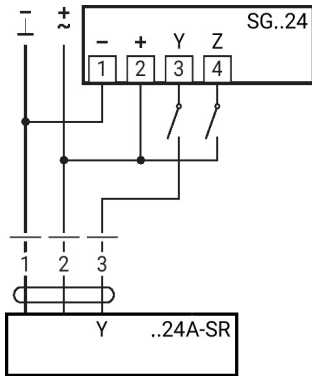
**Electrical installation**

Supply from isolating transformer.

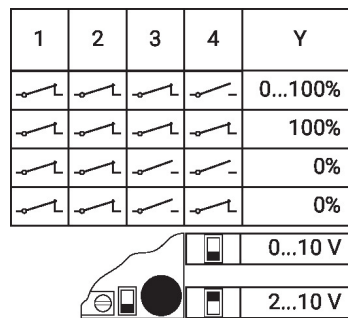
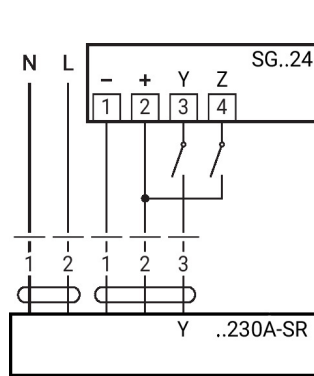


**Wiring diagrams**

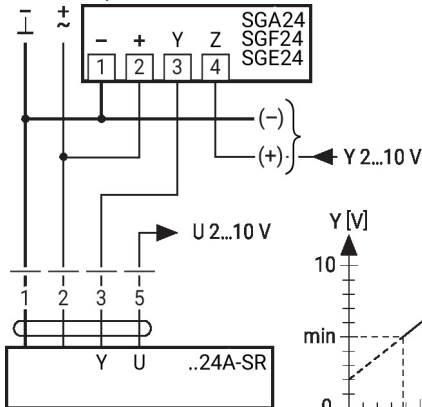
AC/DC 24 V



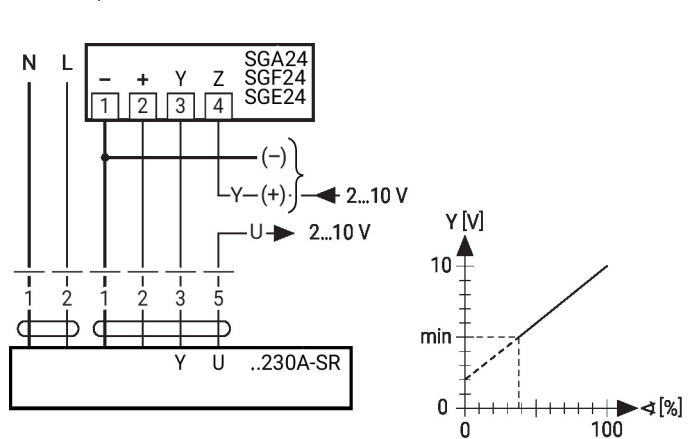
AC 230 V



AC/DC 24 V, minimum limit



AC 230 V, minimum limit



## Dimensions

